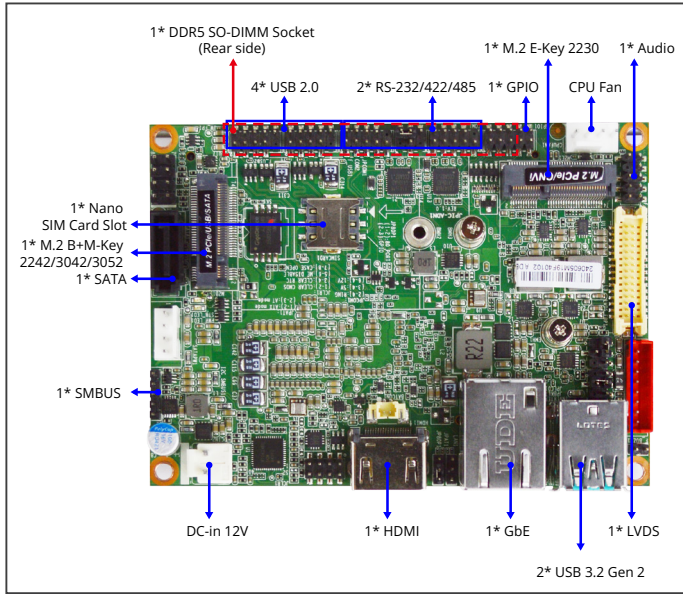


JPIC-ADN1

Pico-ITX Motherboard with Intel® N-series Processors, Dual Display Support, and Nano SIM Slot



Specifications

SYSTEM	
MB FORM FACTOR	Pico-ITX
CPU	Onboard Intel® Processor N97 (Formerly Alder Lake-N, TDP 12W) Onboard Intel® Processor N200 (Formerly Alder Lake-N, TDP 6W)
CHIPSET	Intel® SoC
MEMORY	1 x DDR5 4800MHz, Single Channel SO-DIMM, up to 32GB
BIOS	UEFI
WAKE ON LAN	Yes
WATCHDOG TIMER	255 Levels
SECURITY	Intel® PTT (Integrated fTPM)
RTC BATTERY	Lithium Battery
DIMENSION (W X D)	100.0 (W) x 72.0 (D) mm (3.9" x 2.8")
OS SUPPORT	Windows® 11 (64bit) Windows® 10 (64bit) Linux
POWER	
POWER REQUIREMENT	DC-in 12V
POWER ON MODE	AT / ATX (Default) Mode
CONNECTOR	Internal 2-pin Header
DISPLAY	
GPU	Intel® UHD Graphics
LVDS	1 x 24-bit Dual Channel LVDS (Max. Resolution: 1920 x 1080 @60Hz / Co-Lay eDP)
HDMI	1 x HDMI 2.0b (Max Resolution: 4096x2160@60Hz)
MULTIPLE DISPLAY	Support 2 Displays
AUDIO	
CODEC	Realtek Audio Codec
Line-out	Internal Header for Line-Out
MIC-in	Internal Header for MIC-In
LAN	
ETHERNET	1 x RJ45 for Realtek® RTL8111H GbE
USB PORT	
USB	2 x USB 3.2 Gen 2x1 (10Gbps, Formerly USB 3.1 Gen 2) Internal Header for 4 x USB 2.0
SERIAL PORT	
COM	Internal Header for 2 x RS-232/422/485
INTERNAL I/O	
GPIO	8-Bit
SMBUS	Yes
FAN	1 x 4-pin Connector for CPU Fan (PWM Mode)
FRONT PANEL	HDD Active LED Power LED Power On/Off Reset
ADDITIONAL	1 x Chassis Intrusion 1 x AT/ATX Mode Selection
STORAGE	
SATA	1 x SATA3 1 x SATA Power Connector
EXPANSION	
M.2	1 x B+M-Key 2242/3042/3052 (USB 3.2/SATA3/PCIe 3.0 x2) 1 x E-Key 2230 (USB 2.0/PCIe 3.0 x1)
SIM	1 x Nano SIM Card Slot
ENVIRONMENT & CERTIFICATION	
SHOCK	15G, 11ms duration
VIBRATION	1 Grms/ 5~ 500Hz/ Operation
OPERATING TEMPERATURE	-20°C ~ 60°C (-4°F ~ 140°F)
STORAGE TEMPERATURE	-20°C ~ 85°C (-4°F ~ 185°F)
OPERATING HUMIDITY	10 ~ 90% @ 40°C, Non-condensing

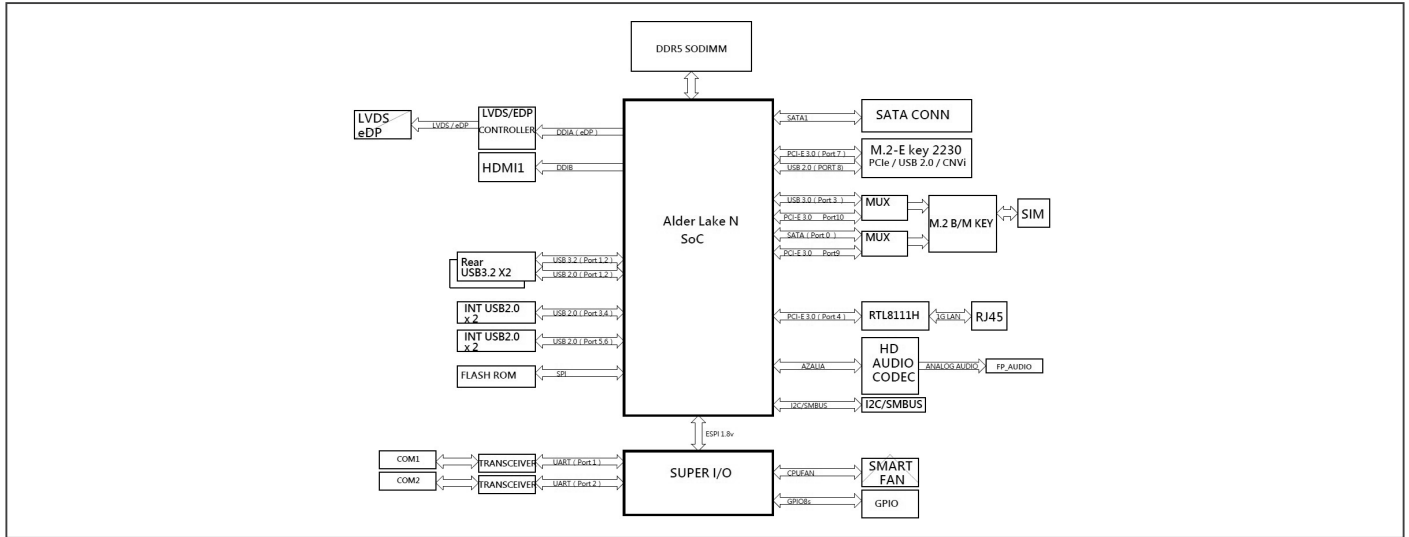
Features

- Powered by Low Power Intel® N-series SoC Processors (formerly Alder Lake)
- High-Performance Memory: Supports DDR5 SO-DIMM
- Dual Display Support: 1 x HDMI for 4K display and 1 x LVDS Co-lay with eDP
- Storage & Expansion: 1 x SATA3, 1 x M.2 E-Key, 1 x B+M Key paired with 1 x SIM for 4G/5G
- Comprehensive I/O: 2 x USB 3.2 Gen2, 4 x USB 2.0, 2 x RS-232/422/485
- Ultra Compact Pico-ITX: 100 x 72mm motherboard
- Enhanced Security: Supports Intel fTPM

Packing List

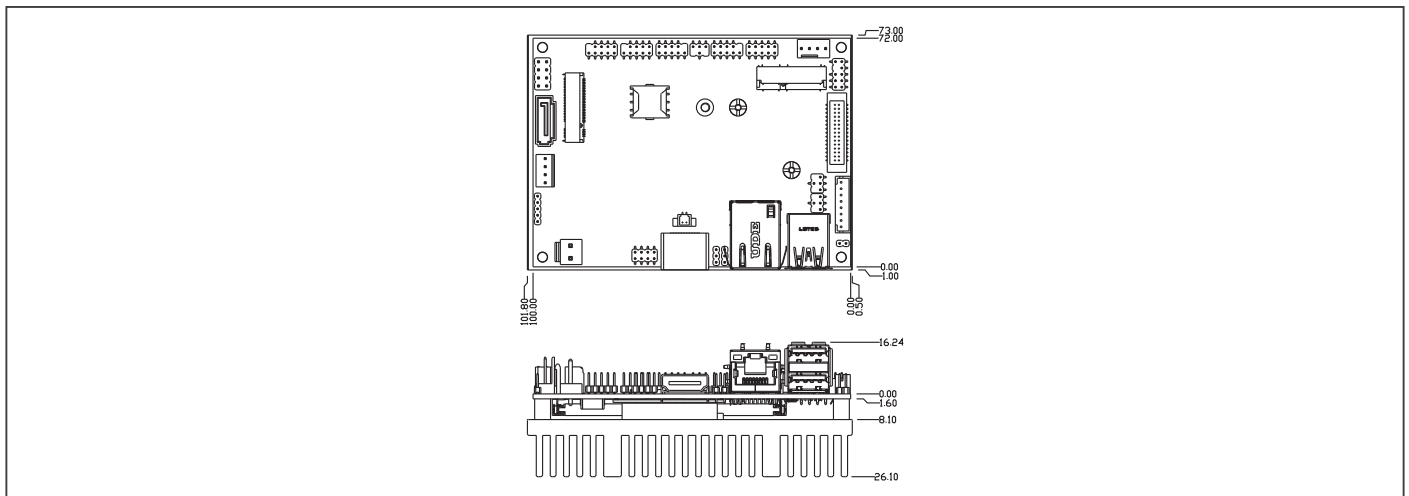
Part Number	Description	QTY per Board
JPIC-ADN1	JPIC-ADN1 Mother Board	1
F05-PICO-01-F	Heatsink (assembled)	1
G01-COM-H2M22-1F	COM Cable, Length = 220mm	1
G01-PWDCJK-2P20-F	Phoenix DC Cable, Length = 200mm	1

Block Diagram



Dimension

Unit: mm



Ordering Information

Part Number	JPIC-ADN1-N20000	JPIC-ADN1-N97000
CPU	Intel® Processor N200	Intel® Processor N97
POWER REQUIREMENT	DC-in 12V	DC-in 12V
GPU	Intel® UHD Graphics	Intel® UHD Graphics
LVDS	1 x LVDS/eDP	1 x LVDS/eDP
HDMI	1 x HDMI	1 x HDMI
MULTIPLE DISPLAY	Support 2 Displays	Support 2 Displays
ETHERNET	1 x GbE	1 x GbE
USB	2 x USB 3.2	2 x USB 3.2
USB	4 x USB 2.0	4 x USB 2.0
COM	2 x RS-232/422/485	2 x RS-232/422/485
SATA	1 x SATA3	1 x SATA3
M.2	1 x B+M-Key 2242/3042/3052	1 x B+M-Key 2242/3042/3052
M.2	1 x E-Key 2230	1 x E-Key 2230
SIM	1 x Nano SIM Card Slot	1 x Nano SIM Card Slot
OPERATING TEMPERATURE	-20°C ~ 60°C (-4°F ~ 140°F)	-20°C ~ 60°C (-4°F ~ 140°F)